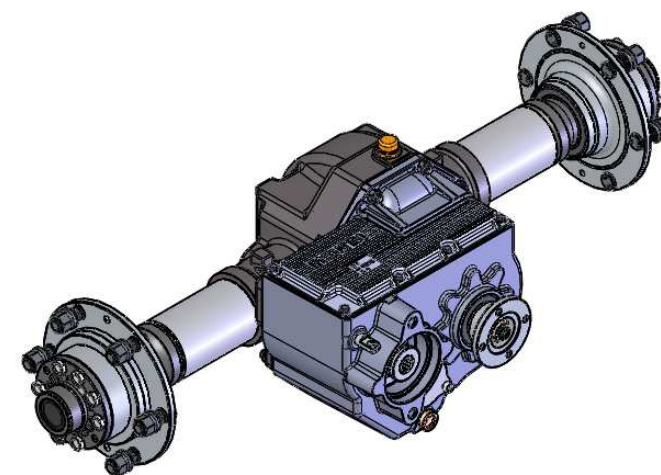
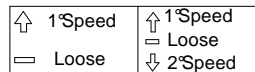
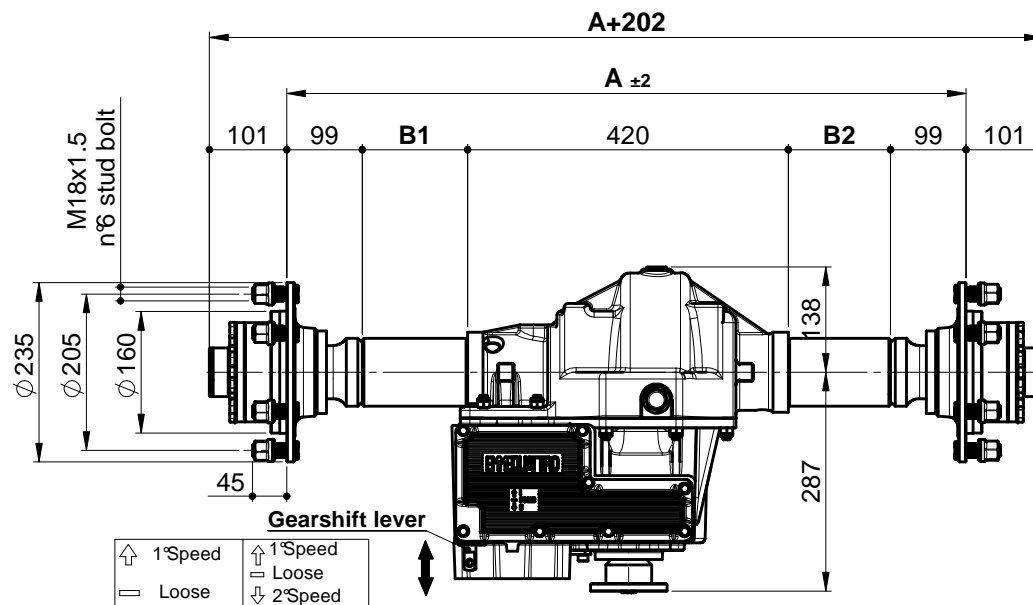
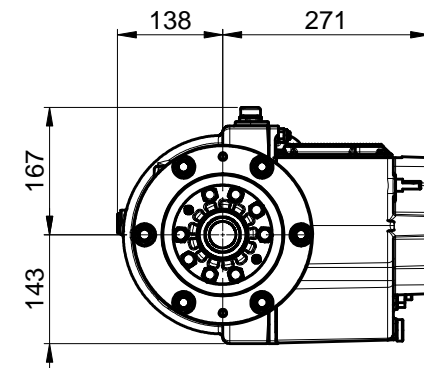
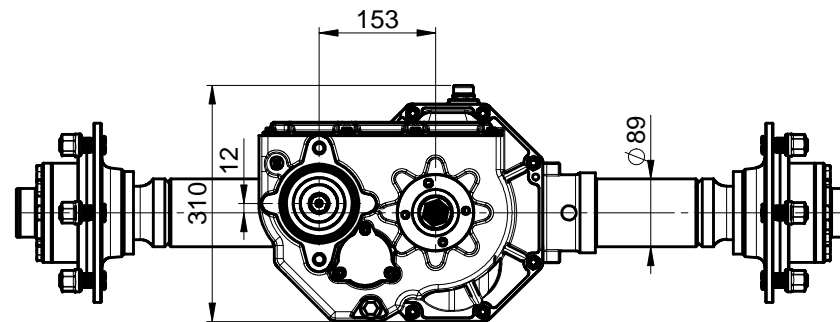


AVAILABLE WITH ONE OR TWO SPEEDS



TECHNICAL DATA

Max allowable axle load	32000	N
Max wheel torque	4000	Nm
Max steering angle	-	
Axle ratio	-	
Gear box	1°speed ratio	1:31.21
	2°speed ratio	1:7.71 / 1:12.16
Input max rpm	4000	rpm
Min track width	880	mm
Max track width	1950	mm

OPTIONAL

See attachments

EMMEQUATTRO

Via IV Novembre 25080 Prevalle (BS) |
Tel.030-6801322 Fax 030-603782
eml: com@emmequattroaxles.it

Denominazione:
M4M-350C 3110

Prospetto tecnico