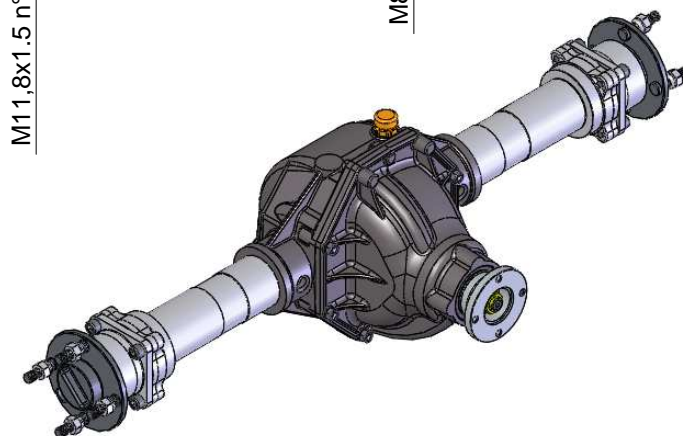


M11,8x1,5 n°4 stud bolt



TECHNICAL DATA

Max allowable axle load	20000	N
Max wheel torque	1800	Nm
Max steering angle	-	
Axle ratio	1:4.375	
Gear box	1 st speed ratio	-
	2 nd speed ratio	-
Input max rpm	3200	rpm
Min track width	500	mm
Max track width	1350	mm

OPTIONAL

See attachments

EMMEQUATTRO

Via IV Novembre 25080 Prevalle (BS) I

Tel.030-6801322 Fax 030-603782

eml: com@emmequattroaxles.it

Denominazione:
M4P-A31.1

Prospetto tecnico